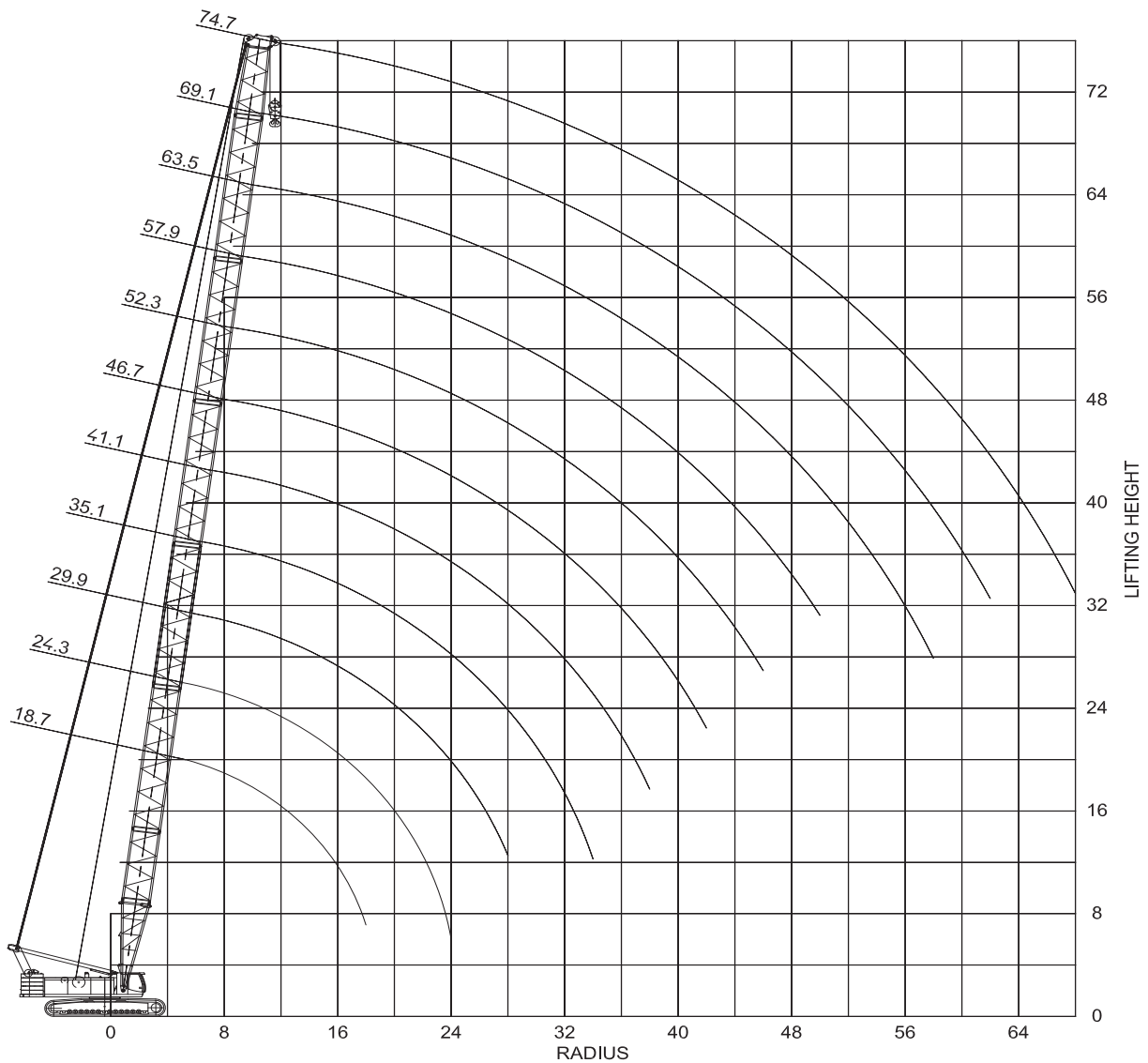


Dimensions are in millimeters.
The content in this document is mentioned for reference use only. Values may differ from current data. Always contact Mammoet for current project calculations.



Dimensions are in meters.
 The content in this document is mentioned for reference use only. Values may differ from current data. Always contact Mammoet for current project calculations.

Main boom (heavy duty top)

- Crawler base: 7.2x5.8 m
- Ballast: 60 t + 20 t

Boom length (m)	Radius (m)																																						
	4.7	5	6	7	8	9	10	11	12	14	16	18	20	22	24	26	28	30	32	34	36	38	40	42	44	46	48	50	54	58	62	66	70	72					
18.7	150	146	132	119	106	92	79	70	60	49	41	35																											
24.3		135	127	115	103	91	79	70	60	49	41	35	30	26	25																								
29.9			116	107	97	88	78	69	60	49	40	34	30	26	23	21	19																						
35.5				96	94	87	80	74	67	60	48	40	34	30	26	23	20	18	17	16	15																		
41.1					79	77	72	67	62	58	48	40	34	29	26	23	20	18	16	15	13	12	12																
46.7						66	63	60	56	53	46	40	34	29	25	22	20	18	16	15	13	12	11	10	9.7														
52.3							55	54	52	50	47	43	38	33	29	25	22	20	17	16	14	13	12	11	10	9.3	8.6	7.9											
57.9								46	45	43	41	38	35	31	28	25	22	19	17	15	14	12	11	10	9.8	9	8.3	7.5	6.9	6.3									
63.5									38	37	36	33	31	28	26	24	21	19	17	15	14	12	11	10	9.5	8.6	7.9	7.2	6.6	6	4.9	4.3							
69.1										31	31	30	29	27	25	23	22	20	18	16	15	13	12	11	10	9.1	8.2	7.5	6.8	6.2	5.6	4.6	3.7	3					
74.7											26	24	23	22	21	19	18	17	15	14	13	11	10	9.6	8.7	7.8	7.1	6.4	5.8	5.2	4.2	3.3	2.5	1.9					

t = metric tons.

The content in this document is mentioned for reference use only. Values may differ from current data. Always contact Mammoet for current project calculations.

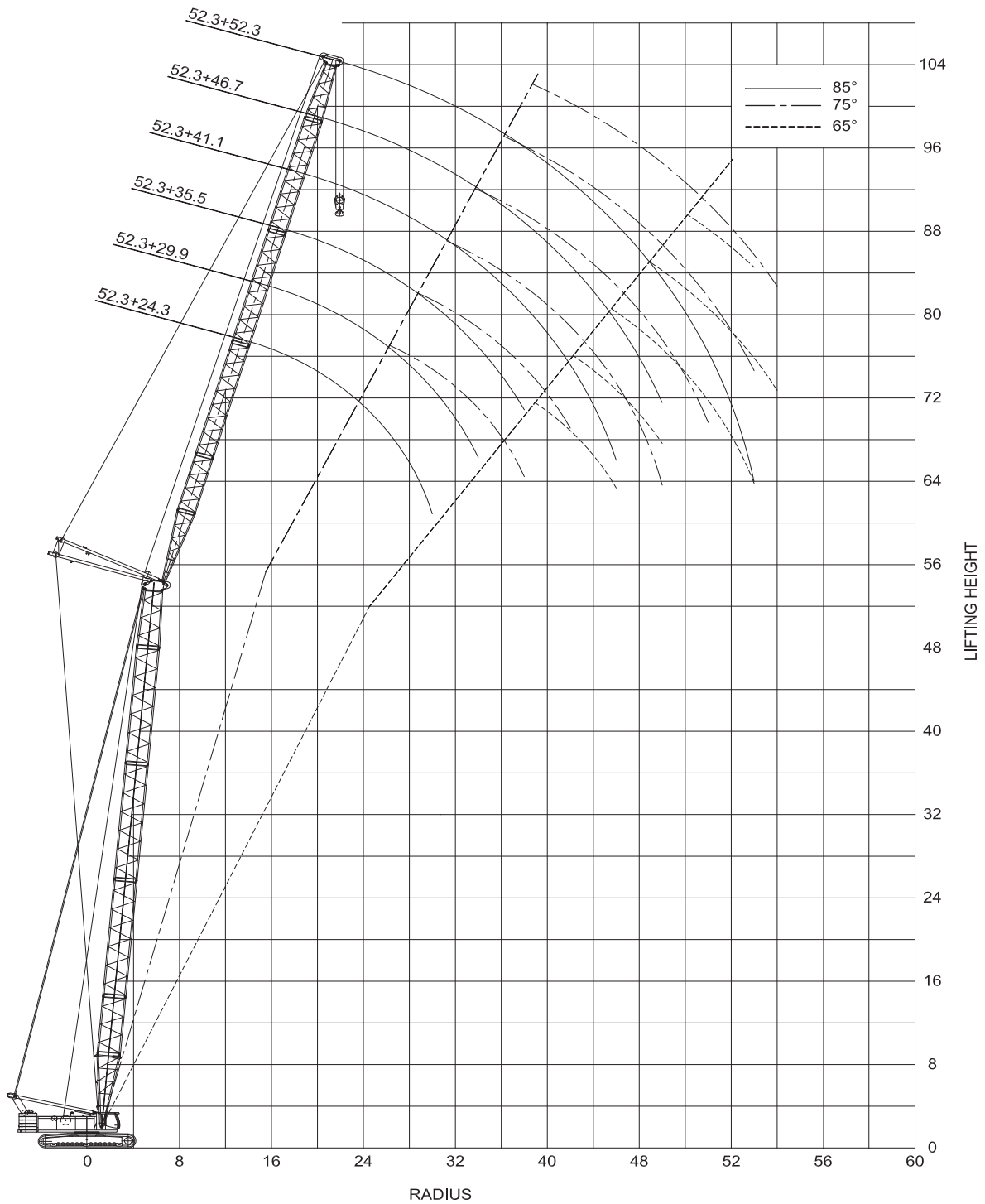
Main boom (light duty top)

- Crawler base: 7.2x5.8 m
- Ballast: 60 t + 20 t

Boom length (m)	Radius (m)																																						
	4.7	5	6	7	8	9	10	11	12	14	16	18	20	22	24	26	28	30	32	34	36	38	40	42	44	46	48	50	54	58	62	66	70	72					
29.9		70	70	70	70	70	70	66	62	50	42	36	31	27	24	22	20																						
35.5			70	70	70	70	70	66	62	50	42	35	31	27	24	22	20	18	17	16																			
41.1				70	67	64	60	57	54	48	41	35	31	27	24	21	19	17	16	15	14	13																	
46.7					59	58	56	54	51	49	44	39	35	30	27	24	21	19	17	16	14	13	12	11	10														
52.3						48	47	46	44	42	39	36	33	29	26	23	21	19	17	15	14	13	12	11	10	9.8	9												
57.9							39	38	37	36	33	31	29	27	25	23	20	18	17	15	14	13	11	11	10	9.4	8.7	8.1	7.5										
63.5								31	31	30	29	28	27	25	24	22	21	19	18	16	15	13	12	11	10	9.8	9.1	8.4	7.8	7.2	6.1	5.5							
69.1									25	25	24	23	22	21	20	19	18	17	16	15	14	13	12	11	10	9.5	8.8	8	7.4	6.8	5.8	4.9	4.2						
74.7										20	19	18	18	17	16	15	15	14	13	12	12	11	10	9.8	9.1	8.4	7.7	7.1	6.5	5.4	4.6	3.8	3.1						
80.3											16	15	15	14	14	13	13	12	12	11	11	10	9.9	9.4	8.9	8.3	7.8	7.2	6.7	6.1	5.1	4.2	3.5	2.8	2.2	2			

t = metric tons.

The content in this document is mentioned for reference use only. Values may differ from current data. Always contact Mammoet for current project calculations.



Dimensions are in meters.
 The content in this document is mentioned for reference use only. Values may differ from current data. Always contact Mammoet for current project calculations.

Main boom with luffing jib

- Crawler base: 7.2×5.8 m
- Ballast: 60 t + 20 t
- Boom angle: 85°, 75°, 65°

Boom length (m)	Boom angle (°)	Jib length (m)	Radius (m)																											
			12	14	16	18	20	22	24	26	28	30	32	34	36	38	40	42	44	46	48	50	54	58	62	66				
24.3	85	24.3	46	42	38	35	31	27	24	21	19																			
		29.9		37	34	31	29	26	24	21	19	17																		
		35.5			30	29	27	25	24	22	20	19	17	16	14	13	12													
		41.1				24	23	22	21	20	19	17	16	15	14	13	12	11	10											
		46.7						20	19	18	17	16	15	15	14	13	12	11	10	10	9.4	8.7	8.1	7.4						
		52.3							16	15	15	14	14	13	12	12	11	10	10	9.6	8.9	8.3	7.7	7.1	6.1					
75	24.3	24.3					29	25	22	20	18	16																		
		29.9						25	22	20	18	16	15	13																
		35.5									19	17	16	14	13	12	11	10	9.8											
		41.1											17	15	14	13	12	11	10	9.4	8.8	8.1								
		46.7												15	14	12	11	10	9.9	9.1	8.4	7.7	7.2	6.6	5.6					
		52.3														12	11	10	9.5	8.7	8.1	7.4	6.8	6.3	5.3	4.5				
65	24.3	24.3									17	15	14	13																
		29.9														12	11	10												
		35.5															12	11	10	9.7	8.9	8.3	7.6							
		41.1																10	9.3	8.5	7.8	7.2	6.7	6.2						
		46.7																		8.1	7.4	6.8	6.3	5.8	4.9	4.1				
		52.3																				6.4	5.9	5.4	4.5	3.8	3.1			
29.9	85	24.3	42	39	36	33	30	27	24	21	19																			
		29.9		33	31	29	27	25	23	21	19	17	16	14																
		35.5			27	26	24	23	21	20	18	17	16	14	13	12														
		41.1				23	22	21	20	19	18	17	16	15	14	13	12	11	10											
		46.7					18	18	17	16	15	15	14	13	13	12	11	10	10	9.3	8.6	8	7.4							
		52.3						15	15	14	14	13	12	12	11	11	10	9.9	9.4	8.8	8.2	7.6	7.1	6.1						
75	24.3	24.3					24	22	20	18	16																			
		29.9							21	19	17	16	14	13	12	11														
		35.5									19	17	15	14	13	12	11	10	9.4											
		41.1										16	15	13	12	11	10	9.9	9.1	8.4	7.8	7.2	6.6							
		46.7													12	11	10	9.5	8.7	8.1	7.4	6.8	6.3	5.4						
		52.3														11	10	9.9	9.1	8.3	7.7	7	6.5	5.9	5	4.2				
65	24.3	24.3									14	13	12	11	10															
		29.9														12	11	10	9.4	8.7										
		35.5															9.7	9	8.3	7.7	7.1									
		41.1																	7.8	7.2	6.6	6.1	5.6	4.8						
		46.7																			6.2	5.7	5.2	4.4	3.7					
		52.3																				5.8	5.3	4.8	4	3.3	2.7	2.1		
35.5	85	24.3		35	33	31	28	26	24	21	19																			
		29.9			30	28	27	25	24	22	20	19	17	16	14															
		35.5				25	23	22	21	20	19	18	16	15	14	13	12													
		41.1					20	19	18	18	17	16	15	14	13	12	12	11	10											
		46.7						17	16	16	15	15	14	13	13	12	11	11	10	9.8	9.2	8.5	7.9	7.3						
		52.3							14	14	13	13	12	12	11	11	10	10	9.6	9.1	8.6	8.1	7.5	7	6					
75	24.3	24.3								21	19	17	15	14	13															
		29.9									18	17	15	14	13	12	11													
		35.5										16	15	13	12	11	10	9.8	9.1	8.4	7.7									
		41.1											14	13	12	11	10	9.4	8.7	8.1	7.4	6.8	6.3							
		46.7													11	10	9.8	9.1	8.3	7.7	7	6.5	6	5.1						
		52.3															9.4	8.7	7.9	7.3	6.6	6.1	5.6	4.7	3.9	3.2				
65	24.3	24.3													11	10	9.9													
		29.9															9.4	8.7	8	7.4	6.8									
		35.5																	7.6	7	6.5	6	5.5							
		41.1																			7.1	6.5	6	5.5	5.1	4.3				
		46.7																					5.5	5	4.6	3.9	3.2	2.6		
		52.3																							4.2	3.4	2.8	2.2	1.7	

t = metric tons.

The content in this document is mentioned for reference use only. Values may differ from current data. Always contact Mammoet for current project calculations.

Boom length (m)	Boom angle (°)	Jib length (m)	Radius (m)																									
			12	14	16	18	20	22	24	26	28	30	32	34	36	38	40	42	44	46	48	50	54	58	62	66		
41.1	85	24.3		31	30	28	26	24	23	21	19																	
		29.9		27	26	25	23	22	21	19	18	17	16	14														
		35.5			23	22	21	20	19	18	17	16	15	14	13	12												
		41.1				19	18	17	16	16	15	14	13	13	12	11	10	10	9.4	8.7								
		46.7					15	15	14	13	13	12	12	11	11	10	10	9.5	8.9	8.4	7.8	7.2						
		52.3						14	13	13	12	12	11	11	10	10	9.7	9.3	8.8	8.3	7.8	7.3	6.9	5.9				
75		24.3						20	18	16	15	14	12															
		29.9								16	14	13	12	11	10	9.8	9											
		35.5									14	13	12	11	10	9.3	8.6	8	7.4									
		41.1											11	10	9.7	8.9	8.2	7.6	7	6.5	6							
		46.7												11	10	9.3	8.6	7.8	7.2	6.6	6.1	5.6	4.7	4				
		52.3														8.8	8.1	7.4	6.8	6.2	5.7	5.2	4.3	3.6	2.9			
65		24.3													9.1	8.4	7.7											
		29.9														8.6	7.9	7.3	6.8	6.2								
		35.5																6.8	6.3	5.8	5.3	4.9	4.1					
		41.1																		5.3	4.8	4.4	3.7	3				
		46.7																				4	3.2	2.6	2.1			
		52.3																						2.8	2.2	1.6	1.2	
46.7	85	24.3		28	27	25	24	23	21	20	18	17																
		29.9			23	22	21	20	19	18	17	16	15	14														
		35.5				20	19	19	18	17	16	15	15	14	13	12	11											
		41.1					17	16	16	15	14	14	13	13	12	11	11	10	9.9	9.3	8.6							
		46.7						14	13	13	12	12	11	11	10	10	10	9.5	9	8.5	8	7.5	7.1					
		52.3							12	11	11	10	10	10	9.7	9.3	8.9	8.5	8.1	7.7	7.3	6.9	6.5	5.7				
75		24.3							17	16	14	13	12	11	10													
		29.9								15	14	13	11	11	10	9.3	8.6											
		35.5									13	12	11	10	9.6	8.9	8.2	7.6	7									
		41.1											11	10	9.2	8.5	7.8	7.2	6.6	6.1	5.6	4.7						
		46.7													8.7	8	7.3	6.7	6.1	5.7	5.2	4.4	3.6					
		52.3														8.3	7.6	6.9	6.3	5.7	5.3	4.8	3.9	3.2	2.6			
65		24.3														8.3	7.7	7										
		29.9															6.5	6	5.5	5.1	4.7							
		35.5																	5	4.6	4.2	3.5						
		41.1																			3.8	3.1	2.5	1.9				
		46.7																				3.3	2.6	2	1.5			
		52.3																					2.1	1.5				
52.3	85	24.3		24	23	23	22	21	20	19	18	17																
		29.9			20	20	19	18	17	17	16	15	14	14														
		35.5				17	17	16	15	15	14	13	13	12	12	11												
		41.1					15	15	14	14	13	13	12	12	11	11	10	10	9.5	8.9	8.4							
		46.7						12	12	11	11	11	10	10	9.9	9.5	9.1	8.8	8.4	8	7.6	7.3	6.9					
		52.3							10	10	9.7	9.4	9.1	8.8	8.5	8.2	7.9	7.6	7.3	7	6.7	6.4	6.1	5.5	4.9			
75		24.3								15	14	12	11	10	9.9													
		29.9									13	12	11	10	9.5	8.8	8.1											
		35.5											10	9.9	9.1	8.4	7.7	7.1	6.5	6	5.5							
		41.1												10	9.4	8.6	7.9	7.2	6.7	6.1	5.7	5.2	4.3					
		46.7														8.1	7.4	6.8	6.3	5.7	5.2	4.7	3.9	3.3				
		52.3															6.3	5.8	5.2	4.8	4.3	3.5	2.9	2.3	1.7			
65		24.3															6.2	5.7	5.2									
		29.9																	4.8	4.4	4							
		35.5																		4.2	3.9	3.5	2.9	2.3				
		41.1																				3	2.4	1.8	1.4			
		46.7																					1.9	1.4				
		52.3																										

t = metric tons.

The content in this document is mentioned for reference use only. Values may differ from current data. Always contact Mammoet for current project calculations.